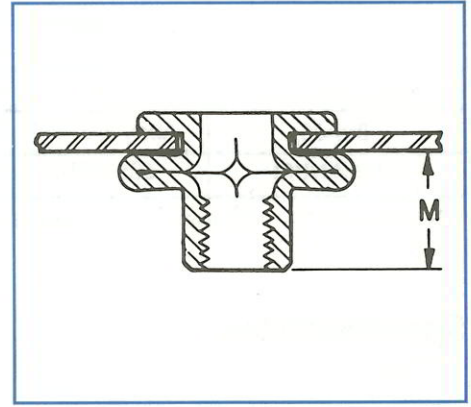
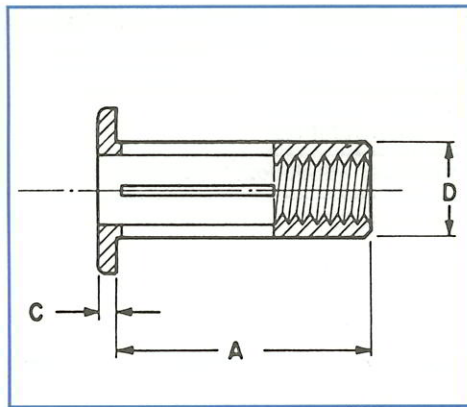
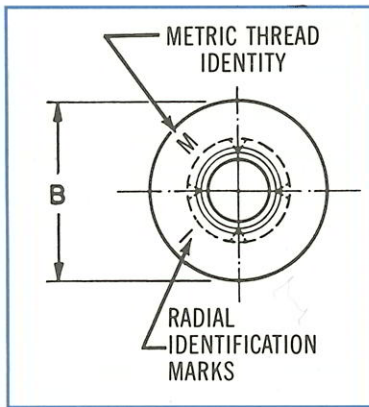
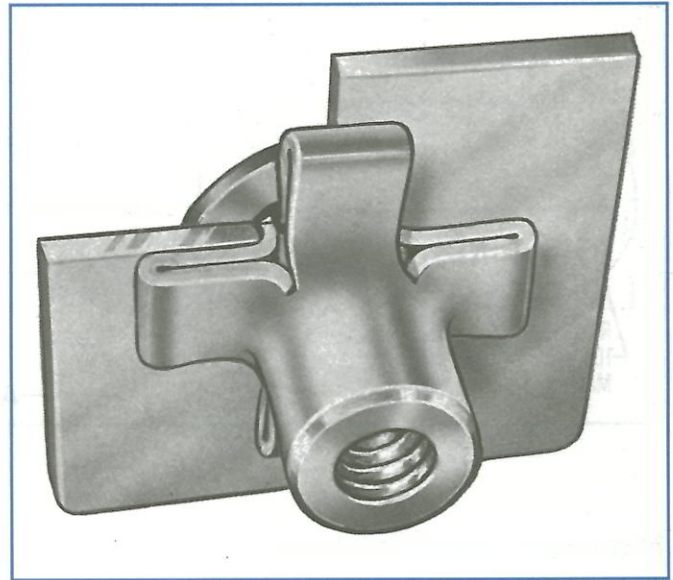


Flat head PLUSNUT® fastener — Metric Thread System

Developed specifically for automotive, electronic and appliance assembly. Also, suitable for wide applications throughout industry.

PLUSNUTS are blind, threaded fasteners recommended for rigid fastening in sheet metal, fiberglass and plastics. Slotted shanks split and form large flaps which evenly distribute installation and working loads over a large area. For example, PLUSNUTS provide excellent anchors for seat belts, car top carriers and mirror mounts. PLUSNUTS also offer solutions to many other fastening problems because of these outstanding advantages over other blind fasteners.

- Superb pull-out strength
- Wide grip range
- Exceptional torque and thread strength.



Specifications

Thread Size*	Type Number	Ident. Mark	Grip Range †		A ±.38	B Nom.	C Nom.	D Max.	M Nom..	Inst Drill Size	Inst. Hole Size		Wt. (Lbs./1000)		
			Min.	Max.							Min.	Max.	Alum.	Brass	Steel and Stainless
M4X0.7	M4P3.80	Blank	0.50	3.80	16.65	11.09	0.96	6.12	8.60	6.20	6.13	6.25	1.85	5.84	5.46
	M4P6.85	1 Rad.	3.80	6.85	19.80	11.09	0.96	6.12	8.60	6.20	6.13	6.25	1.98	6.45	6.04
M5X0.8	M5P4.45	Blank	0.50	4.45	21.03	12.70	0.96	7.47	9.90	7.50	7.48	7.62	3.03	10.00	9.36
	M5P8.10	1 Rad.	4.45	8.10	23.80	12.70	0.96	7.47	9.90	7.50	7.48	7.62	3.27	10.58	9.90
M6X1.0	M6P7.10	Blank	.50	7.10	25.40	15.87	1.50	8.79	12.80	8.80	8.80	8.93	6.06	19.69	18.41
	M6P12.70	1 Rad.	7.10	12.70	31.32	15.87	1.50	8.79	12.80	8.80	8.80	8.93	6.08	19.72	18.44
M8X1.25	M8P7.10	Blank	.50	7.10	28.95	19.04	1.57	11.10	14.47	11.80	11.11	11.50	9.53	30.81	28.81
	M8P12.70	1 Rad.	7.10	12.70	34.90	19.04	1.57	11.10	14.47	11.80	11.11	11.50	10.61	34.42	32.18
M10X1.50	M10P7.10	Blank	0.50	7.10	30.94	22.23	2.24	13.06	15.75	33/64 Inch Drill	13.07	13.26	13.07	42.47	39.71
	M10P12.70	1 Rad.	7.10	12.70	36.50	22.23	2.24	13.06	15.75	33/64 Inch Drill	13.07	13.26	14.90	60.15	48.52

CODE: Diameter and grip range as tabulated. First letter of type number indicates material: "A" for aluminum, "S" for steel, "SS" for stainless steel, "BR" for brass.

EXAMPLE: SM4P3.80 – Steel, M4X0.7 Internal Thread, 0.50 – 3.80 Grip Range.

†Additional Grip Ranges are available.

Metric/inch conversion chart – page 41

ALL DIMENSIONS ARE IN MILLIMETERS

PS PERLANE SALES, INC
ISO 9001:2000
800-783-7197